

# IMPORTANT! READ AND FOLLOW THESE INSTRUCTIONS CAREFULLY AND KEEP FOR FUTURE REFERENCE

If you sell or give away this product, make sure you give this instruction to the new owner.



## WARNING

**WARNING** - Incorrect installation can be dangerous.

**WARNING** - Do not use the safety barrier if any components are damaged or missing.

**WARNING** - The safety barrier must not be fitted across windows.

**WARNING** - **Never use without wall cups.**

Screws **MUST** always be used to install wall cups.

This safety barrier is for domestic use only.

This safety barrier is suitable for use with children up to 24 months of age.

Not every child is the same. If your child of less than 24 months is able to pass through, climb over, crawl under or able to open or to dislodge the safety barrier, then the safety barrier can't be used to provide the assumed protection.

Never use with a child able to climb or dislodge/open gate.

The surfaces that the gate is to be fixed to must be suitable for the purpose and must be structurally sound.

If the barrier is to be used at the top of the stairs, it should not be positioned below top level.

If the safety barrier is used at the bottom of the stairs, it should be positioned at the front of the lowest tread possible.

This gate has a manual close system.

This gate is intended for indoor use and is not to be exposed to outdoor elements.

Install this gate away from heaters and other sources of heat.

This product will not necessarily prevent all accidents. Never leave child unattended.

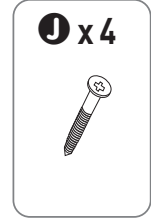
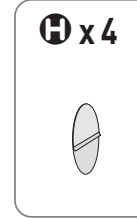
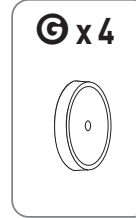
### Caution:

With any pressure mounted gate, a construction bar is required across the base. Note, this bar can be a tripping hazard. If you choose to position a pressure mounted gate at the top of stairs, use extra caution to step over this bar to prevent trips and falls.

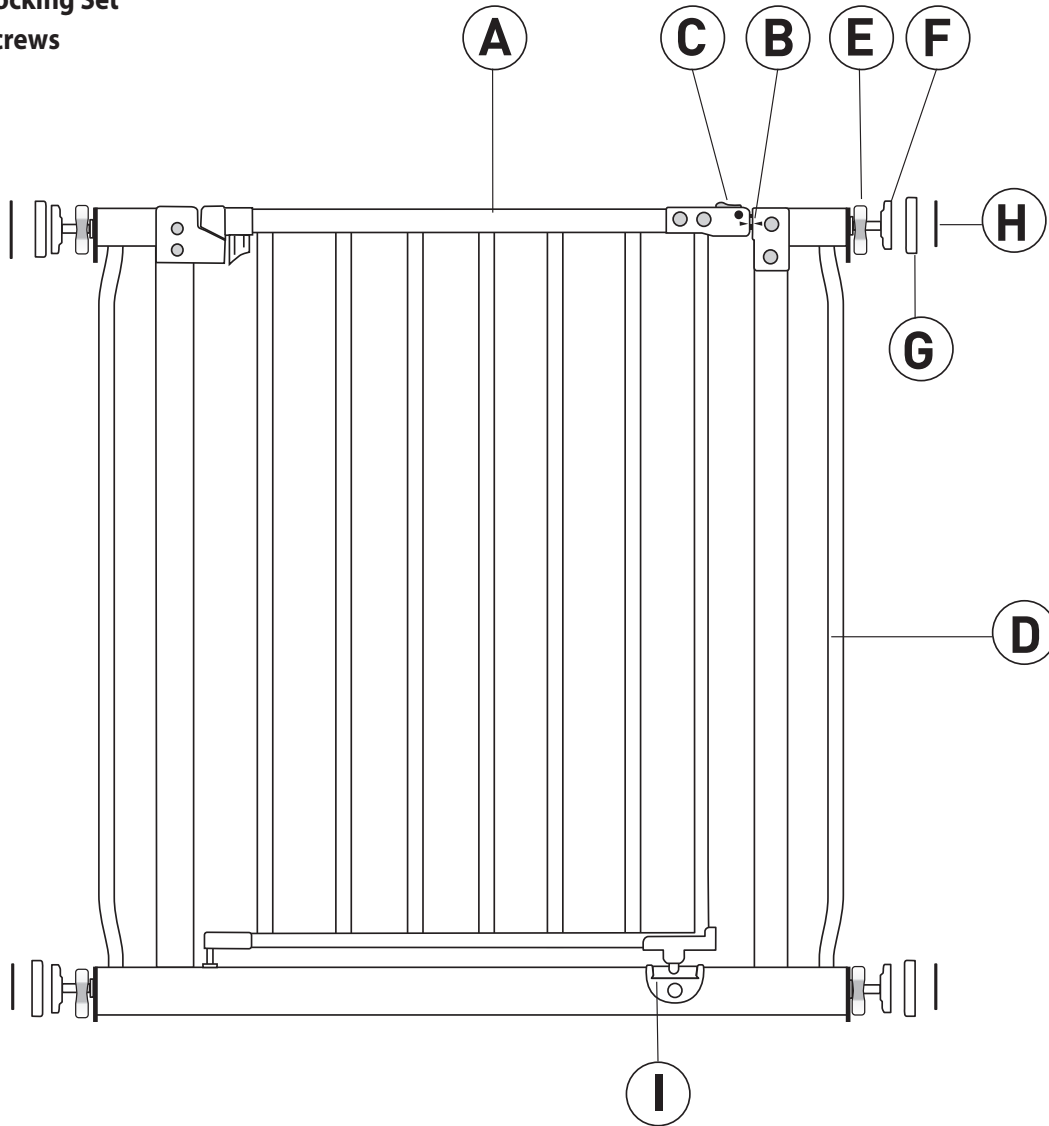
Can be used in conjunction with a Dreambaby<sup>®</sup> Watch-the-Step<sup>®</sup>  
Gate Ramp (F837) to help avoid tripping.

# PARTS LIST

- A** Gate Panel
- B** Upper Locking Set
- C** Release Switch
- D** Gate Frame
- E** Tension Knobs
- F** Bolts with Rubber Pads
- G** Wall Cups
- H** Double-sided Adhesive Tape
- I** Lower Locking Set
- J** Wood Screws

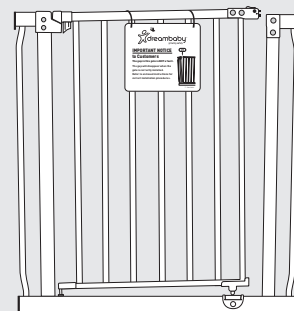


Wood Screws  
Wood use only



## NOTICE TO CUSTOMERS

gap



**The gap in this gate is NOT a fault.**

The gap will disappear when the gate is correctly installed.



## WARNING:

This package contains small parts and sharp points in an unassembled state. Keep out of reach of children. Adult assembly required.

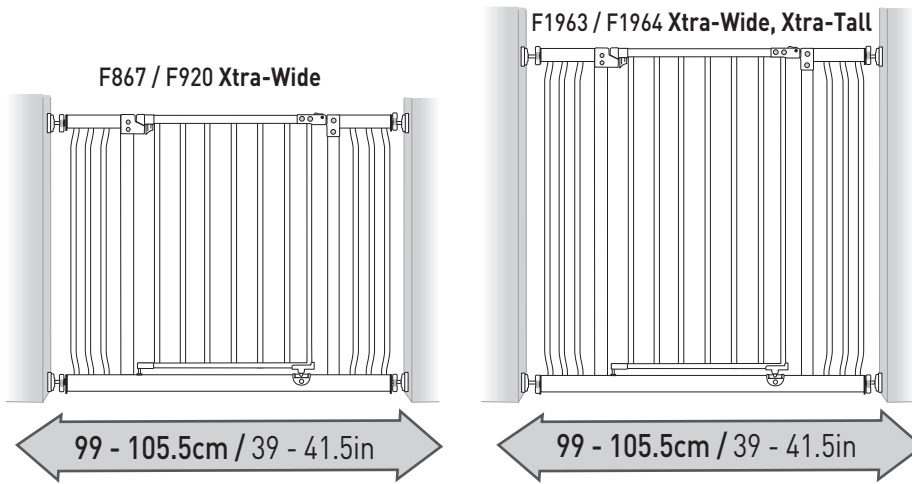
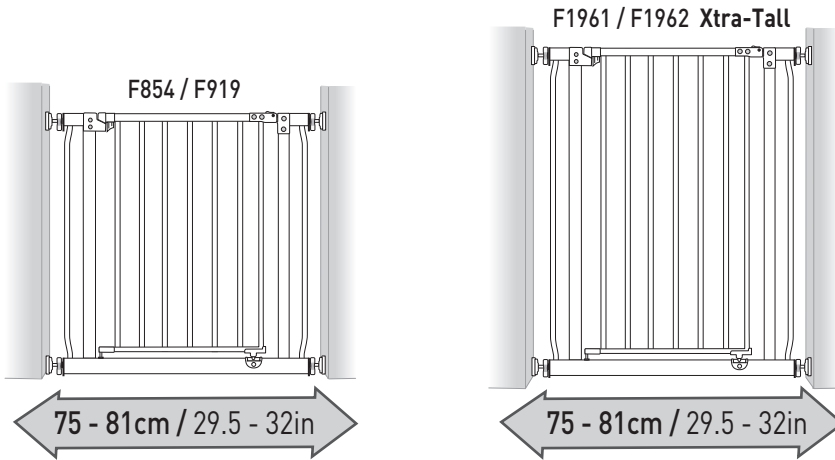
# INSTALLATION

## 1. Measure the width of the opening of where you intend to install the gate.

For wider openings select the appropriate Gate Extension(s), sold separately.



Ensure the surface you are mount the gate is structurally sound such as solid timber, brick or masonry. For plaster / gyprock surface, locate the timber beam or stud behind and mount in this location (mounting on plaster / gyprock alone is not strong enough and not safe). DO NOT MOUNT TO GLASS.

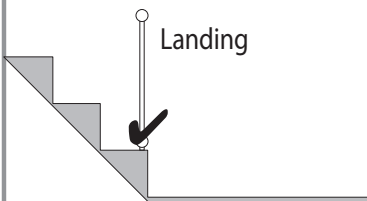


KITS				Fits openings	
<b>F768</b>	F1961	+ F1965 (9cm/3.5in) & <b>K1</b>		75-90cm	29.5-35.5in
<b>F769</b>	F1961	+ 2 x F1965 (9cm/3.5in) & <b>K1 K1</b>		75-99cm	29.5-39in
<b>F773</b>	F1963	+ F1965 (9cm/3.5in) & <b>K1</b>		99-114.5cm	39-45in
<b>F774</b>	F1963	+ F1965 (9cm/3.5in) & <b>K1</b> & + F1967 (18cm/7in) <b>K2</b>		99-132.5cm	39-52in
<b>F775</b>	F854	+ 2 x F901 (9cm/3.5in) & <b>K1 K1</b>		75-99cm	29.5-39in
<b>F776</b>	F854	+ F901 (9cm/3.5in) & <b>K1</b>		75-90cm	29.5-35.5in
<b>F777</b>	F867	+ F901 (9cm/3.5in) & <b>K1</b>		99-114.5cm	39-45in
<b>F1992</b>	F919	+ F968 (9cm/3.5in) & <b>K1</b>		75-90cm	29.5-35.5in

## ! For use on stairs

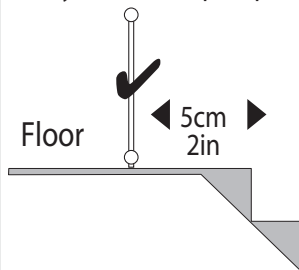
### ! Bottom of stairs

If the safety barrier is used at the bottom of the stairs, it should be positioned at the front of the lowest tread possible.



### ! Top of stairs

If the safety barrier is used at the top of stairs, it should not be positioned below the top level. At the top of landing, position the gate 5cm / 2in away from the top step.



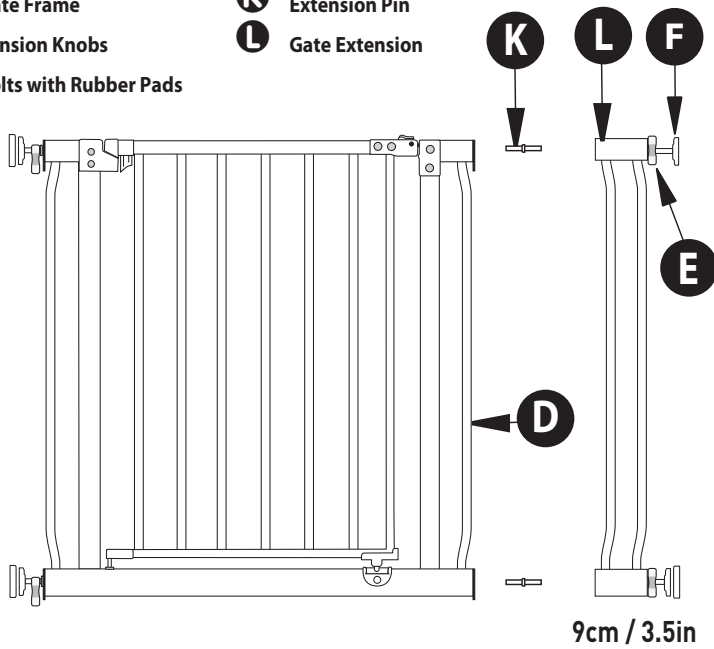
Always open door AWAY from stairs.



## 2. To use with Gate Extensions.

- D** Gate Frame
- E** Tension Knobs
- F** Bolts with Rubber Pads

- K** Extension Pin
- L** Gate Extension



### Gate Extensions (sold separately)

\*F901/F968 - 9cm (3.5in)

\*F1989 - 2x9cm (3.5in)

F902/F969 - 18cm (7in)

F903/F970 - 27cm (10.5in)

F1951/F1952 - 36cm (14in)

F1953/F1954 - 45cm (17.5in)

F1955/F1956 - 54cm (21in)

F1957/F1958 - 63cm (24.5in)

F1959/F1960 - 100cm (39in)

### Xtra-Tall

\*F1965/F1966 - 9cm (3.5in)

F1967/F1968 - 18cm (7in)

F1969/F1970 - 27cm (10.5in)

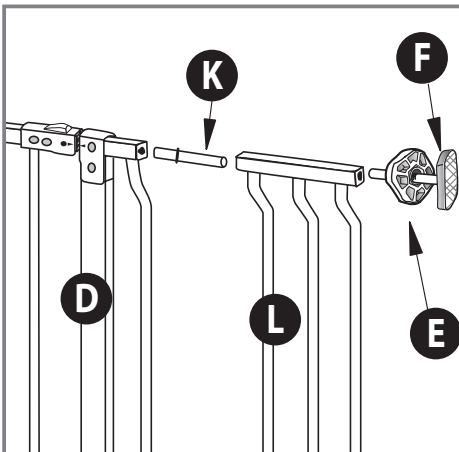
F1971/F1972 - 36cm (14in)

F1973/F1974 - 45cm (17.5in)

F1975/F1976 - 54cm (21in)

F1977/F1978 - 63cm (24.5in)

F1979/F1980 - 100cm (39in)

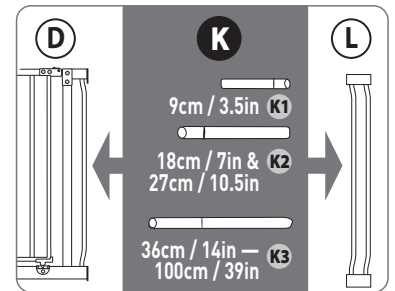


Insert Extension Pins **K** into the holes on the outside of the Gate Frame **D**  
Next, slip Extension Frames **L** over the Pins **K**.  
Finally, slide in the Tension Knobs **E** and Bolts with Rubber Pads **F**.

Insert SHORT END of EXTENSION PIN (K) into Gate Frame

\* 9cm/3.5in

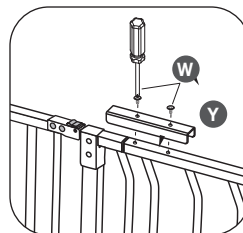
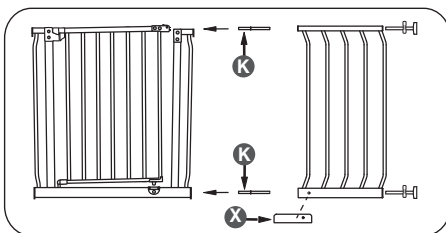
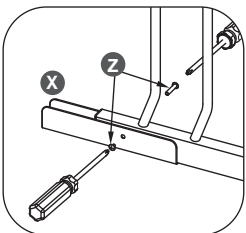
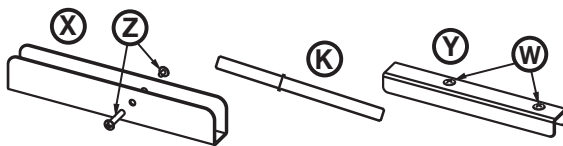
Insert LONG END of EXTENSION PIN (K) into Gate Frame



### For Extensions over 36cm / 14in

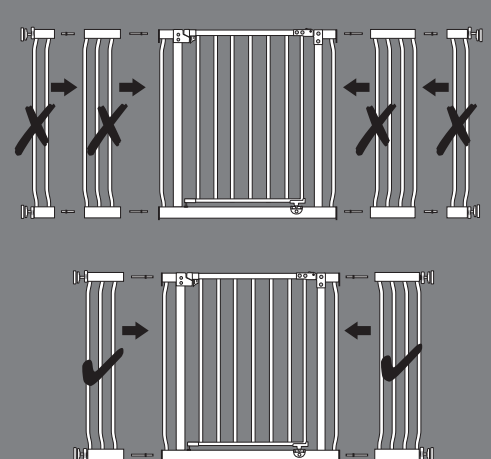
#### PARTS

- K** - Extension Pin
- W** - Screws
- X** - Lower Clamp
- Y** - Upper Clamp
- Z** - Connector Screw



#### INSTRUCTIONS:

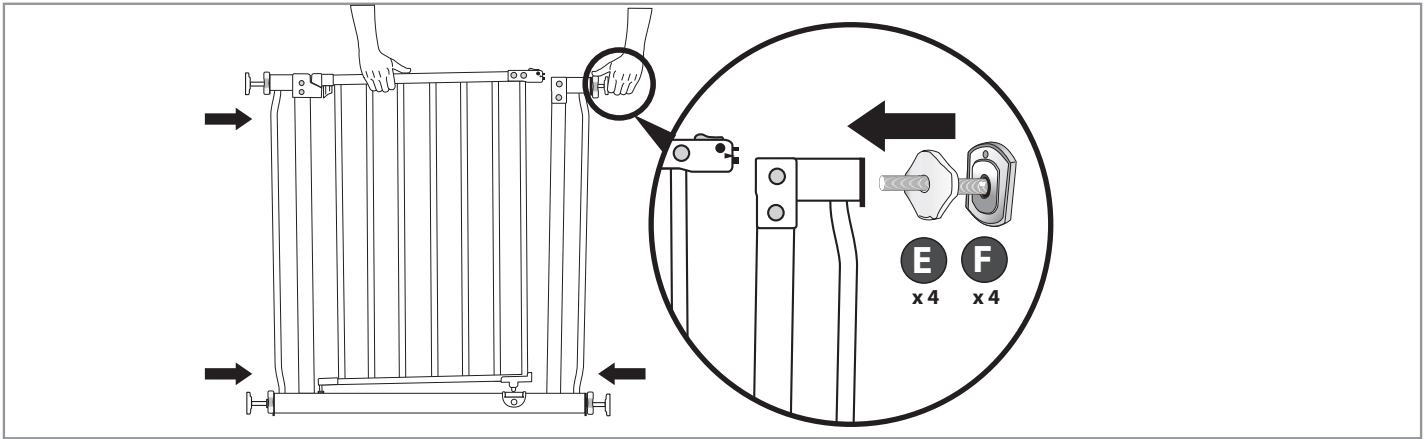
1. Install Lower Clamp **X** onto bottom of gate extension using **Z**.
2. Insert short end of Extension Pin **K** into gate frame.
3. Slip the gate extension over pin.
4. Screw Upper clamp **Y** into place using **W**.



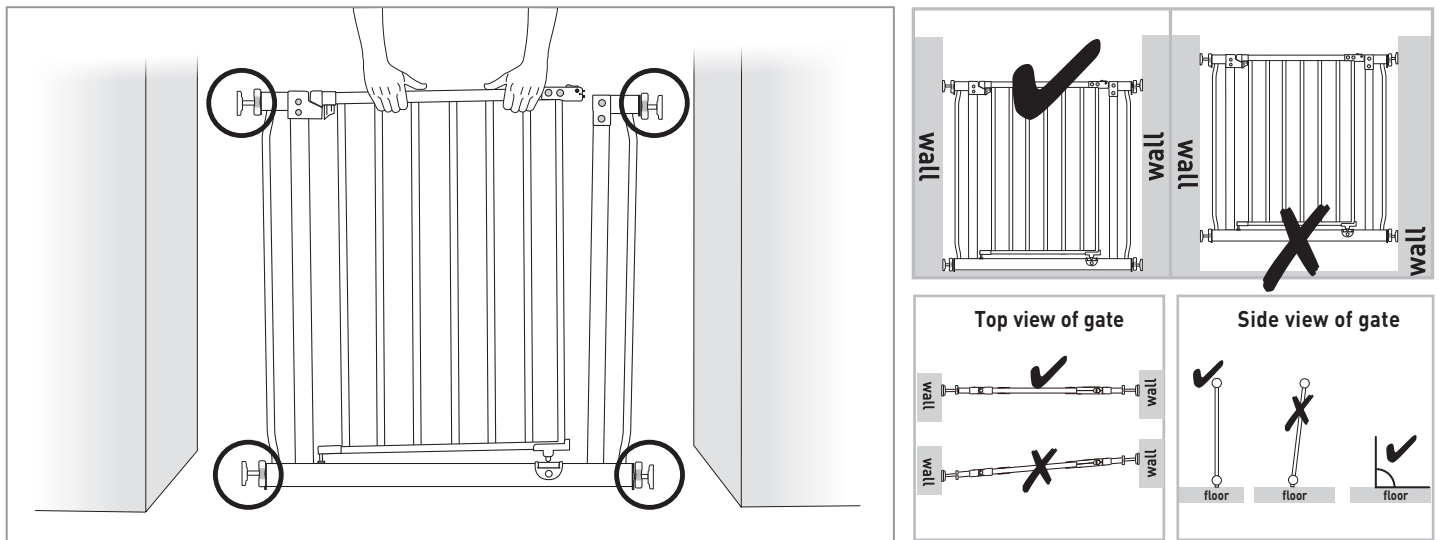
## ! WARNING

A maximum of 2 Gate Extensions can be used, 1 on each side of gate.  
Do NOT install 2 Gate Extensions on the same side of gate.

**3. Insert the Bolts with Rubber Pads and Tension Knobs into the Gate Frame.**



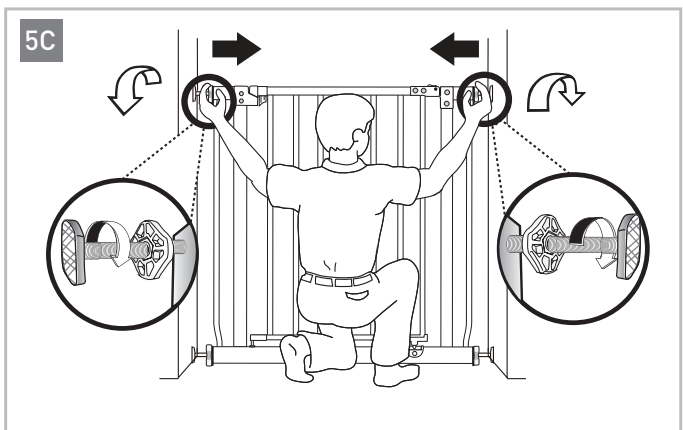
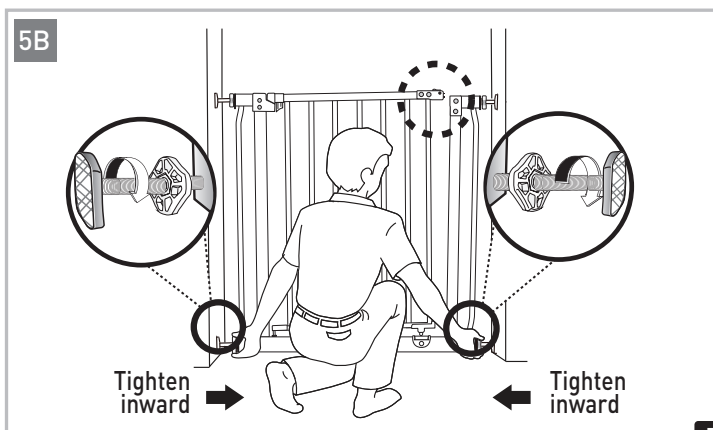
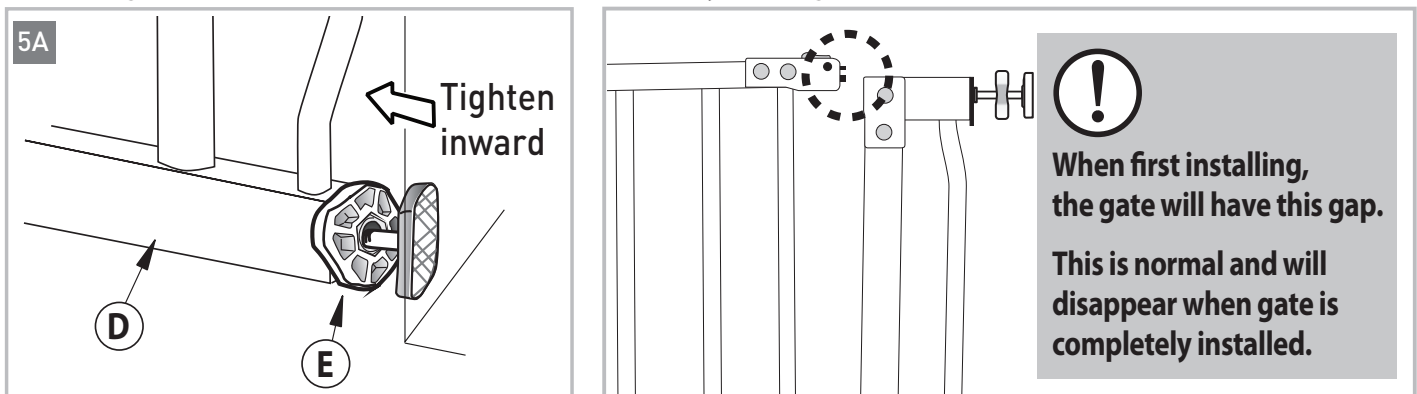
**4. Place the gate in the opening so that the bottom of the Gate Frame is completely flat on the floor, and it is perpendicular to the opening and the floor.**



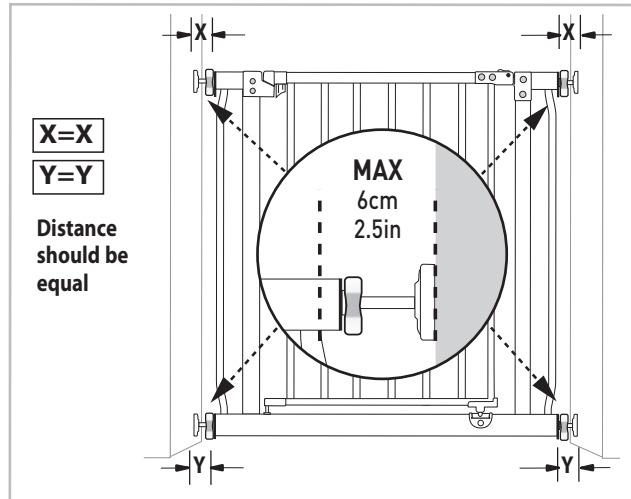
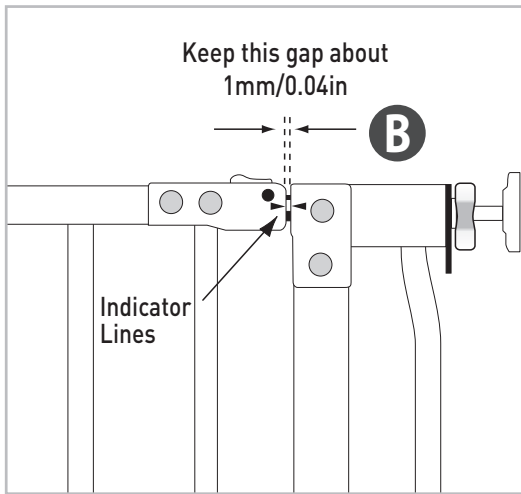
**5. Tighten both of the lower Tension Knobs (E) by turning them at the same time.**

NOTE: Make sure the bottom of the gate frame remains completely flat on the floor.

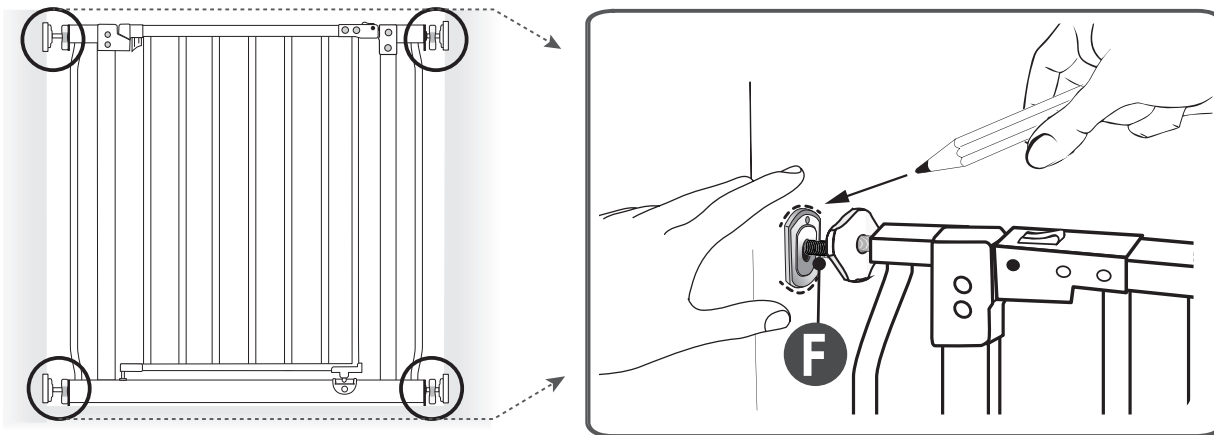
Next, tighten both of the upper Tension Knobs (E) by turning them at the same time.



- 6. Tighten the Tension Knobs until the two Indicator Lines, located on the Upper Locking Set(B) align horizontally. When correctly tightened, the distances between Tension Knobs and Rubber Pads should be equal.**



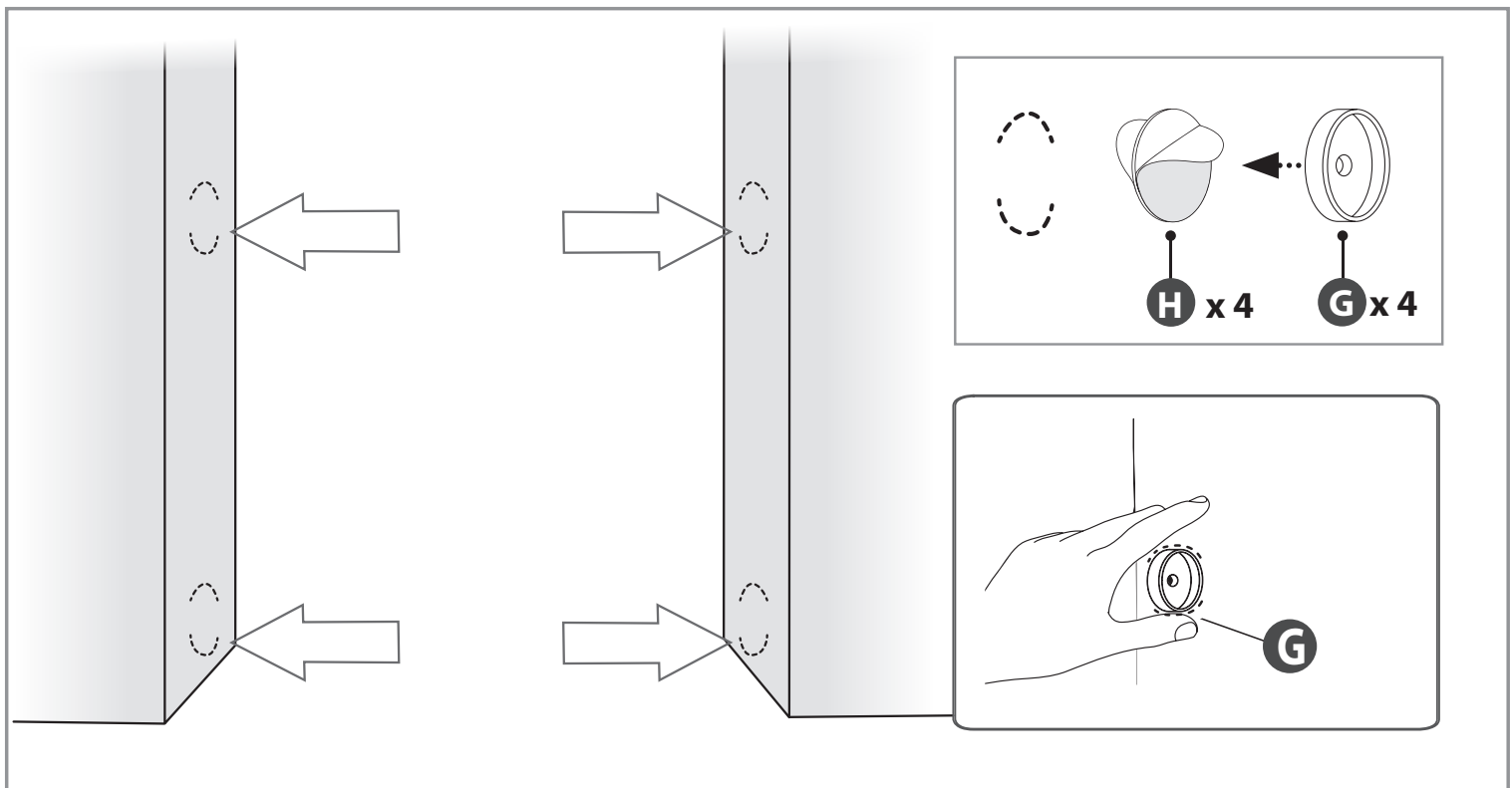
- 7. Use a pencil to mark around the ends of the 4 Bolts with Rubber Pads (F).**



- 8. Loosen the Tension Knobs and remove gate.**

**Add tape (H) to Wall Cups (G)**

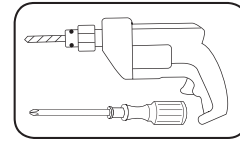
**Line up Wall cups with marks on wall. Check gate is in alignment. Press Wall Cups (B) firmly into place.**



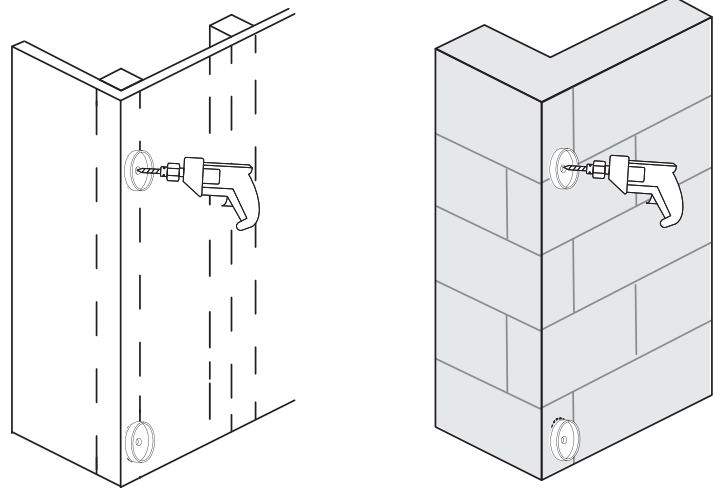
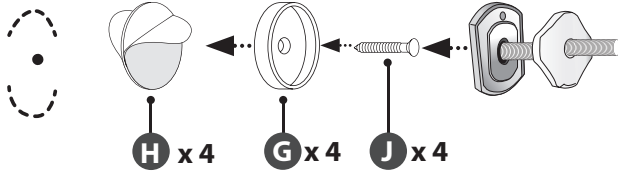
## 9. Screw Wall Cups (G) into place.



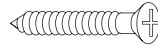
Ensure the surface you are mount the gate is structurally sound such as solid timber, brick or masonry. For plaster / gyprock surface, locate the timber beam or stud behind and mount in this location (mounting on plaster / gyprock alone is not strong enough and not safe). **DO NOT MOUNT TO GLASS.**



**Never use without wall cups. Screws MUST always be used to install wall cups.**



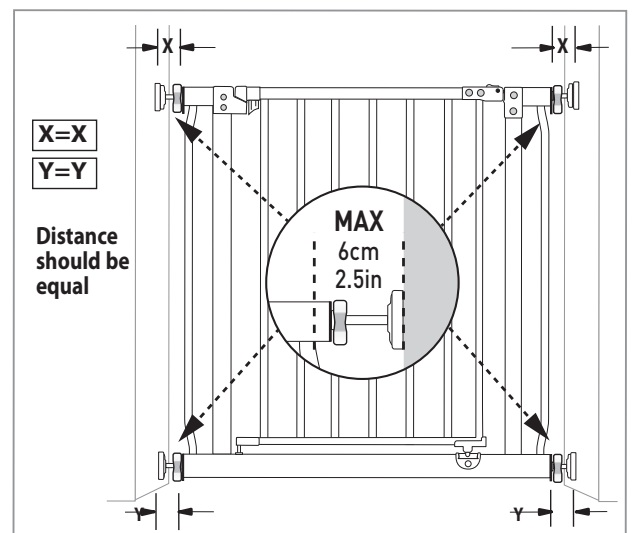
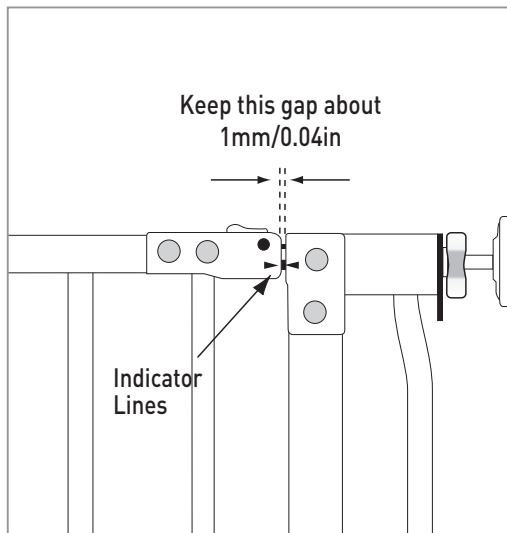
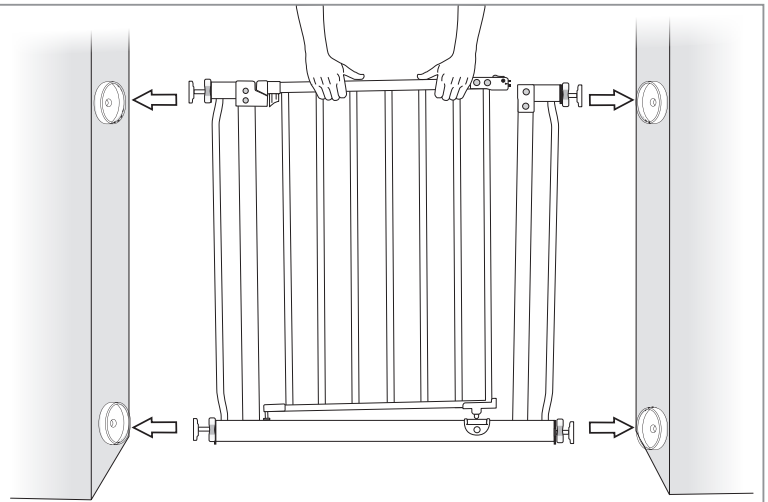
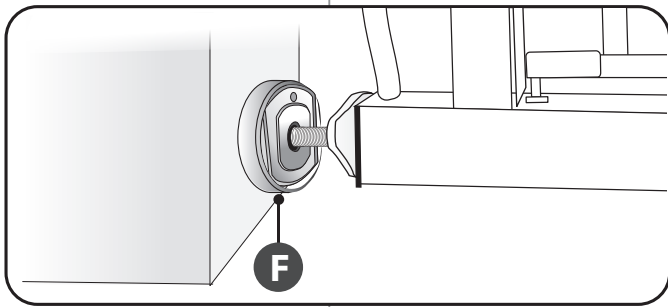
**J x 4**



Wood Screws  
Wood use only

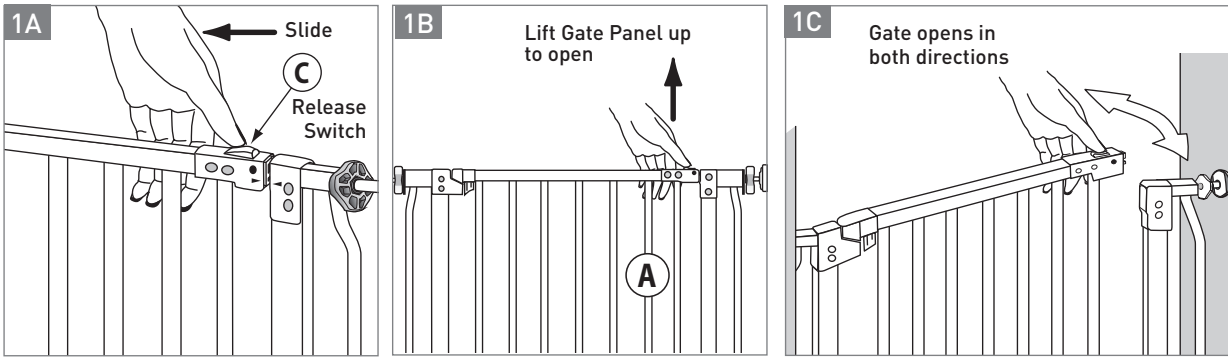
Wood screws (**J**) included.  
For Brick or Masonry use the appropriate fittings, screws and plugs for your wall (not included)

## 10. Reinstall gate inserting Bolts with Rubber Pads into Wall Cups (B).



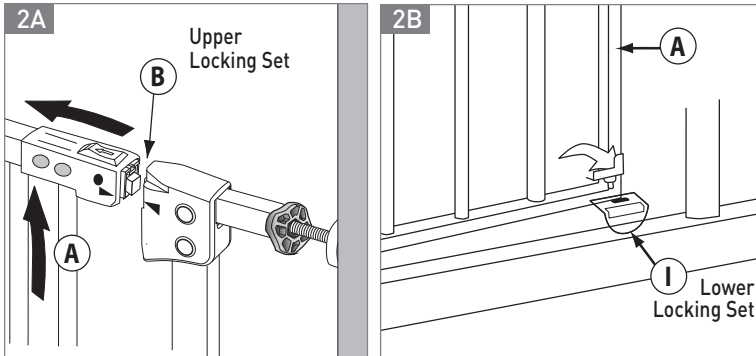
# OPERATION

## 1. To open the gate:

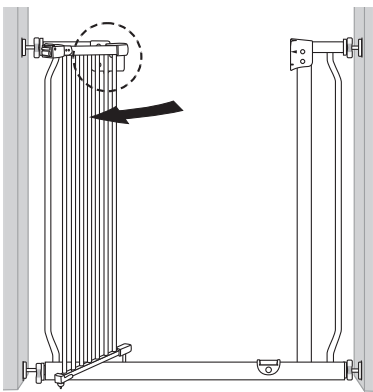


## 2. To close the gate:

This gate has a manual close system. Make sure the Upper and Lower Locking sets are engaged (2A & 2B).



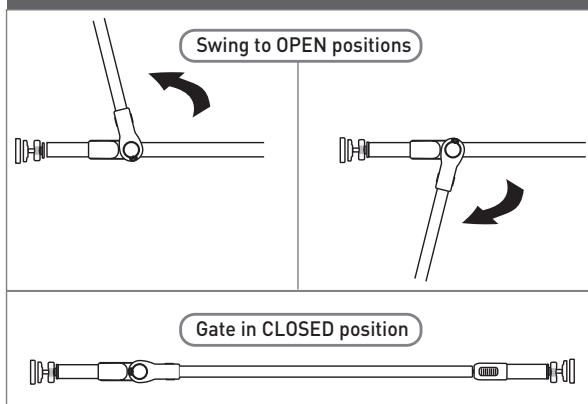
## SMART STAY-OPEN SYSTEM



To engage the Smart Stay-Open System swing gate to its maximum opening. Gate will stay open. Close as required.

**CAUTION:** Keep gate closed when children are present.

## TOP VIEW OF GATE



# MAINTENANCE & CARE

- Gate must be fitted according to instructions, to ensure it works correctly.
- Regularly check Tension Knobs, Rubber Pads and Wall Cups to make sure the gate is securely in place and closes correctly. Adjust as required.
- Only use Dreambaby® spare parts. Any additional and replacement parts should be obtained from Tee-Zed Products.
- To clean, wipe surface with a damp cloth using mild detergent and warm water. Never clean with abrasive, ammonia, bleach or spirit based type cleaners.

# CONTACT DETAILS

Tee-Zed acknowledges that its customers may be entitled to statutory consumer guarantees and does not seek to exclude or limit them. These guarantees include that Tee-Zed's products are of acceptable quality. This Tee-Zed product is for the specific purpose detailed in the instructions and packaging and Tee-Zed considers use outside of that purpose to be abnormal use. To the maximum extent permitted by law, Tee-Zed does not accept any liability for damage:

- arising from abnormal use of the products;
- caused by installation or removal of the products other than in accordance with the supplied installation and removal instructions; or
- arising under the law of tort or contract.

Dreambaby® products by

Tee-Zed Products Pty Ltd  
PO Box 2022,  
Bondi Junction NSW 1355  
**Australia**  
☎ +61 (0)2 9386 4000  
✉ info@tee-zed.com.au  
www.dreambaby.com.au

Tee-Zed Products Ltd  
PO Box 29227,  
Dunfermline, KY12 2DN  
**United Kingdom**  
☎ +44 (0)844 800 9445  
✉ info@tee-zed.co.uk  
www.dreambaby.co.uk

Tee-Zed Products (N.Z.) Ltd  
PO Box 64013,  
Botany Town Centre Auckland  
**New Zealand**  
☎ +64 (0)9 274 8788  
✉ info@tee-zed.co.nz  
www.dreambaby.co.nz



Made in Hangzhou, China.

©2019 Tee-Zed Products Pty Ltd



**dreambabysafety**

**YouTube**

**dreambabytv**